



Self-Propelled Forage Harvesters

JAGUAR

900 Series

800 Series

**CLAAS**



# The JAGUAR forage harvester. 900 / 800 Series.

## Chopping counts.

At CLAAS, we work every day to make harvesting a little better. We build industry-leading machines, with real engineering skill, and above all - we do it with mud on our boots. Once our machines have finished their work, the cycle from planting to harvest begins again.

All our efforts are geared toward ensuring that people are able to come home at the end of the day with the satisfaction that they have done a good job. And every day we develop new ideas to keep things that way. Some outstanding examples can be found in the JAGUAR.

As soon as it made its debut, the JAGUAR forage harvesters impressed many with outstanding performance and low fuel consumption. Ever since then, it has demonstrated how successfully CLAAS concentrates on consistent and practical development in this extremely demanding field. In this way, we ensure that it continues to be the most popular forage harvester in the world.





# JAGUAR 900 / 800 Series.

## Know it by the numbers.

### Convenience.

Our knives feature a repair-friendly, modular design for power-saving crop transport and faster replacement times than other leading agricultural machinery brands.

Our centralized automatic greasing system not only has the highest capacity among other forage harvesters, but is also

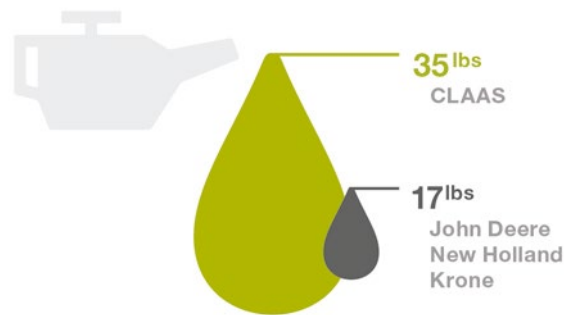
easily accessible, allowing operators to spend less time servicing the JAGUAR.

CLAAS has the longest lasting hydraulic oil life along with the lowest volume of hydraulic oil, saving additional time and money.

### KNIFE COMPARISON

	CLAAS	John Deere	New Holland	Krone
# of Knives	24	48	24	28
Bolts per Knife	2	3	5	3
Total Bolts	48	144	120	84
Knives Self-Adjusted	✓	×	×	×

### AUTO GREASE CAPACITY



### MANUAL GREASE POINTS

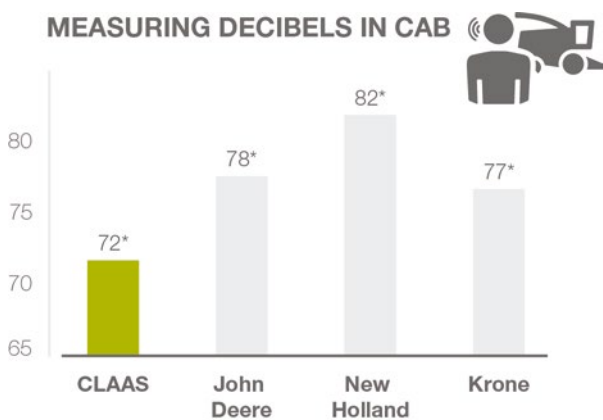
	10 hours	50 hours	100 hours	250 hours	500 hours	After 2,400 hours
CLAAS	0	0	0	0	37	148
John Deere	-	6	9	22	37	798
New Holland	7	22	25	-	-	3,336
Krone	-	-	24	-	-	576

### HYDRAULIC OIL LIFE

	Hydraulic oil life (hours)	Volume (gallons)	Additional oil needed after 2,400 hours (gal)
CLAAS	3,000	12.15	0
John Deere	2,000	15.3	17.4
New Holland	600	40.4	161.6
Krone	500	31.7	126.8

### Efficiency.

An increase in as little as 3 dB is easily noticed by the human ear, while an increase of 10 dB corresponds roughly to the sound doubling in loudness. Even our largest forage harvester – the JAGUAR 990 – is much quieter than three of North America’s most popular makes.



\* Based on an average from tests reformed over time.

With the straight-line JAGUAR crop flow, the crop runs through the entire machine without any awkward angles. This allows you to achieve maximum throughput (t/h) while requiring minimal power (gal./t).

### JAGUAR 900 Series gets up to 12% more capacity/horsepower\*



\* Based on an average from tests performed in corn and various conditions in using machines of identical sizes.

\*\* Derived from internal studies and estimates.

The JAGUAR forage harvester impresses many with outstanding performance and low fuel consumption. Ever since, this unique machine has demonstrated how successfully CLAAS concentrates on consistent and practical development in this extremely demanding field. In this way, we ensure that it continues to be the most popular forage harvester in the world – and fuel efficiency is just one of its many perks.

### Accessibility.

Producers can increase gains simply by providing a finishing diet that includes SHREDLAGE® - an innovative process for conditioning long-chopped corn silage – rather than conventionally chopped silage. This is exclusive to CLAAS JAGUAR forage harvesters.

### JAGUAR 900 Series saves up to 18% in fuel\*

	% More
John Deere	18%**
New Holland	10%**
Krone	17%**

\* Identical sized machines running side by side with the same cut length settings

\*\* Derived from internal studies and estimates.

#### Dairy Benefits

**2.4 lbs**

more milk per cow per day with CLAAS SHREDLAGE



#### Beef Benefits

**Feed to Gain**

with CLAAS exclusive SHREDLAGE

**4.4% greater\***

\* Department of Dairy Science, University of Wisconsin.

# CLAAS value factor.

## Highlights: the market leader.

### 1 JAGUAR 900 Series.

The 900 Series forage harvester offers more power, the CEBIS with touchscreen, a redesigned engine air cooling system drive with more open area and improved suction for the screen cone, plus an improved feederhouse and sharpener design. In addition, a larger fuel tank and the LED service lights make downtime for refueling or maintenance minimal so you can keep on chopping.

### 2 JAGUAR TERRA TRAC.

The JAGUAR 990 and 960 models are available with TERRA TRAC drive systems that provide up to 25 mph (40 km/h) road speeds, reduced soil compaction, added stability and traction on slopes and in all soil conditions, and a headland protection function that helps protect the ground from shearing while turning.





### 3 SILAGE TECH.

The NIR moisture sensor is a highly accurate sensor for measuring the moisture of your crops. The auto chop length gives proven results by adjusting the length of cut based on moisture. Combining that with industry leading 3rd party GPS systems like Trimble / AG Leader / Field View to give accurate yield maps as well as steering.

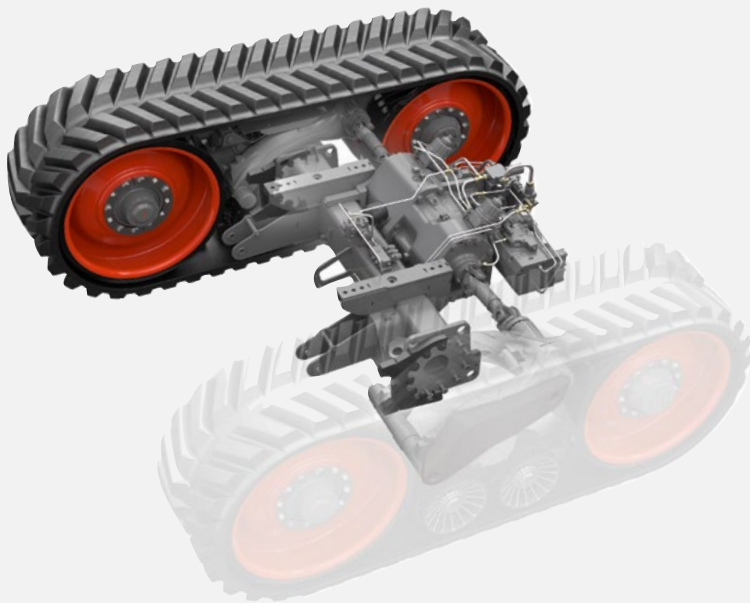
### 4 PICK UP header.

The designed optional dual variable speed header drive features a variable, independent drive of the PICK UP reel and intake auger that reduces fuel consumption and improves pick up work capacity. The speed of the PICK UP is adjusted automatically and synchronously controlled to ground speed and crop flow, enabling a constant, quality performance, and making the feed more smooth and comfortable for the operator.

See pg. 20 for more product details.

# TERRA TRAC.

## Protecting the soil for profitability.



### Perfect for JAGUAR.

CLAAS recognized the advantages of reduced compaction and developed the TERRA TRAC drive concept with patented geometry for effective soil protection. The JAGUAR TERRA TRAC is the first forage harvester with a standard function to protect the soil and grassland against driving damage. For the first time, it's possible to make use of the advantages of the track system on all surfaces throughout the whole year.



### Accessible for servicing.

To enable optimal ballasting and to accommodate the track units, the JAGUAR TERRA TRAC chassis was extended by 40" (1.01 m). This change - in addition to the low height of the track units - makes service and maintenance easier and keeps setup times to a minimum.

The corncracker can be removed from the side above the track. On the left-hand side of the machine, all maintenance points can be accessed quickly.

### Smooth road transport.

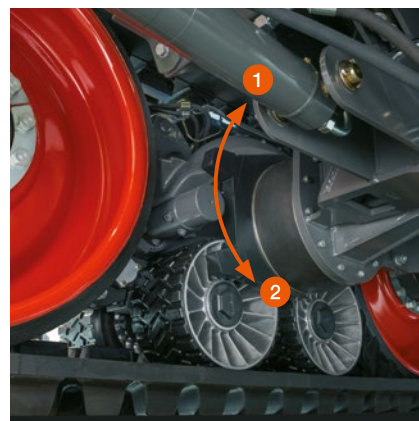
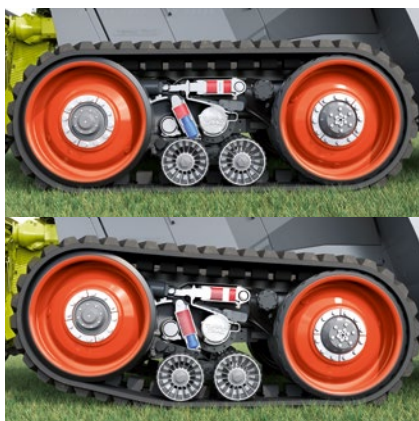
High road speed, smooth header guidance and excellent directional stability - the high level of driving comfort of TERRA TRAC has convinced farmers and contractors for over 20 years. The developed track for the CLAAS JAGUAR with a modified rib layout is now able to handle heavy loads encountered during on-road operation.

- 9'10" (3m) wide, 25' (635 mm) long
- Up to 25 mph (40 km/h)
- Hydropneumatic suspension
- Reduced engine speed

### Field to field faster.

TERRA TRAC helps make for short, convenient and efficient transfer times between fields. You can travel on the road at up to 25 mph (40 km/h) and save fuel thanks to the reduced engine speed.





### Gentle on headlands.

When turning at the end of a field or on a tight curve on grassland, the JAGUAR TERRA TRAC automatically reduces the track contact area by one third to prevent the tracks from shearing the grass cover.

- 1 Three track widths
- 2 Suspension and track tension system
- 3 Drive wheel
- 4 Support rollers
- 5 Land wheel
- 6 Tire pressure adjustment system for steering axle.

### Contact area reduction.

When a certain steering angle is reached, the support rollers of the track unit are automatically pushed down hydraulically. Only the drive wheel and the support rollers remain in contact with the ground, reducing the contact area significantly.

Soil compaction and grass cover damage studies have shown: the JAGUAR TERRA TRAC with headland protection when turning with a reduced track contact area and narrower rear tires practically match those of the wheeled machine.

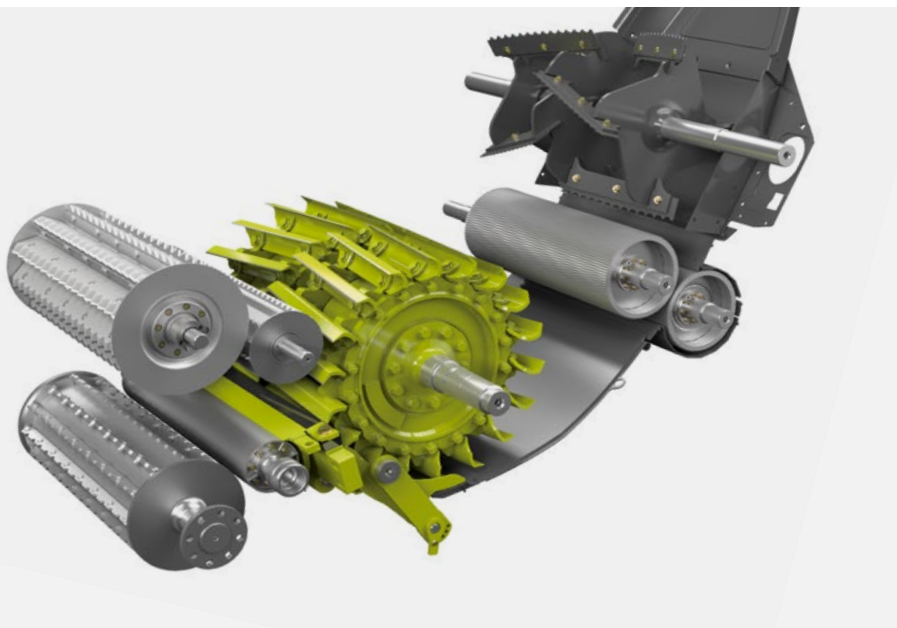
### Reliable operation.

- +120% contact area (85" (635 mm) track compared with 800-series tires)
- Powerful ground drive with POWER TRAC all-wheel-drive system
- Pendulum stop for high operational reliability
- Tire pressure adjustment system for steering axle tires
- Differential lock

Robust pendulum stop (above)

- 1 Oscillation range upwards 10°
- 2 Oscillation range downwards 13°

# Uniquely JAGUAR. 800 and 900 Series Features.



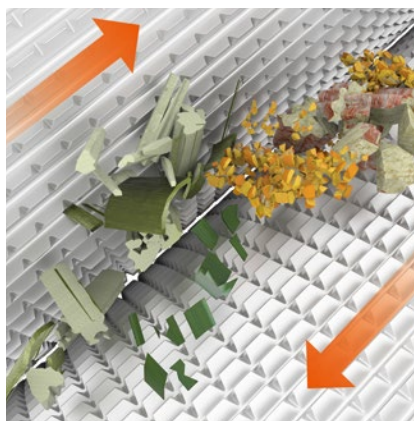
The best crop flow in the industry.

Optimal crop flow is key to meeting output goals. The crop is accelerated at each step and is centered by the chevron arrangement of the knives and accelerator paddles. This means maximum performance with minimum power consumption. The JAGUAR consistently demonstrates outstanding results in terms of fuel consumption.



**AUTO FILL.** Extremely user-friendly (optional).

AUTO FILL, using the principle of digital 3D image analysis, evaluates camera images to determine the outer edges as well as the filling level of the trailer running alongside the JAGUAR. The system can also determine the point of impact as the chopped silage enters the trailer to automatically control the height and side to side direction of the discharge chute to the vehicle. The result is optimal trailer filling.



**MCC L and MCC SHREDLAGE** (optional).

Available on all JAGUAR forage harvesters, The MCC L can be adjusted quickly and easily either manually or via CEBIS. The rugged design ensures high-performance processing, even at high throughput rates. MCC SHREDLAGE rips stalks lengthwise into longer planks and strings – effectively enhancing the fiber content, improving packing and exposing the inner cells of the plant for increased microbial activity while still splitting the corn kernels several times for more complete digestion.



**DYNAMIC POWER PRO.** Intelligent power management (900 Series, 880 and 860).

DYNAMIC POWER PRO from CLAAS automatically reduces engine horsepower to what is needed to maintain ground speed and engine rpm. DYNAMIC POWER PRO adjusts the engine output to the field conditions in ten steps that ensure you are always operating in the most efficient engine speed range. These automatic adjustments provide fuel savings of up to 10.6% compared to models not equipped with DYNAMIC POWER PRO.

## Unmatched and unchanged – the drive.

The revolutionary drive concept of the JAGUAR was developed by CLAAS engineers in 1993 and still sets the standard today. The direct power transmission has proven itself thousands of times over in practical use. The chopping mechanism is driven directly to the cutterhead from the engine main clutch to ensure efficient power transfer versus a right angle gearbox.



### LED maintenance lights.

The LED maintenance lights are located under the doors and in the maintenance areas. LED light strips are turned on from a switch by the operator's stairs so that they only come on when you want them to.

They fully illuminate the JAGUAR for night maintenance. The JAGUAR also comes with a portable magnetic light and multiple plug-in locations for added convenience when a little more light is needed.



### Ease of access: For accelerator cleaning and maintenance.

Removing the accelerator is easy for post-harvest cleaning or replacing wear parts. Two people can carry out the removal procedure in one hour.

#### Save time, energy and trouble.

- QUICK ACCESS: inspect the chopping unit in a matter of moments
- V-opening: for a clear view of the knives and shear bar
- Side opening: separation between the knife drum and intake
- Large side openings for easy access



### EASY: Precision ag systems.

#### CAM PILOT.

CAM PILOT detects the windrow in three dimensions to steer the JAGUAR for increased speed and work rate.

#### Sensing with AUTO PILOT.

The ORBIS can be equipped with row sensing for 15 to 31.5" row corn.

#### Third party compatibility.

The CANBUS open architecture allows you to plug and play your preferred guidance system for mapping, steering, or yield monitoring.

# JAGUAR 900 Series. Engine and drive.

Powerful and efficient:  
the engine technology.

The JAGUAR 900 Series is equipped with engines from MAN and Mercedes-Benz that comply with all Tier 4 final emission standards via Selective Catalytic Reduction (SCR). The engines offer impressive performance at 462 hp up to 925 hp.

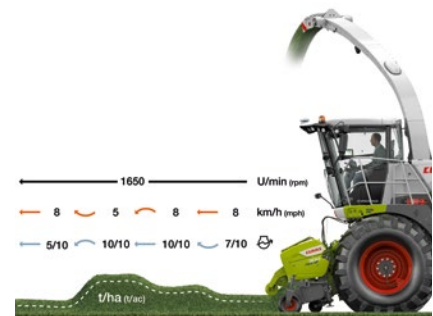
The shielding design on the JAGUAR 900 Series increases airflow for the engine.



The 24.2 liter D2862 V12 engine from MAN is standard on the JAGUAR 990 and 980 models and meets EPA Tier 4 emissions requirements.



The 790 hp 16.15 liter D4276 engine from MAN is standard on the JAGUAR 970 and meets EPA Tier 4 emissions requirements.



## CEMOS AUTO PERFORMANCE (optional).

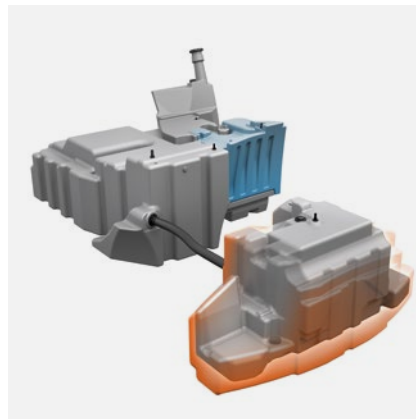
CEMOS AUTO PERFORMANCE combines DYNAMIC POWER and CRUISE PILOT for efficiency, low fuel consumption, and optimal engine load.

- Ground speed and engine RPM are controlled by CRUISE PILOT to maximize JAGUAR engine performance
- DYNAMIC POWER maximizes efficiency and throughput while maintaining engine RPM from CRUISE PILOT
- DYNAMIC POWER regulates engine HP, stepping up to maintain a set RPM or adjusting machine speed from CRUISE PILOT as needed.



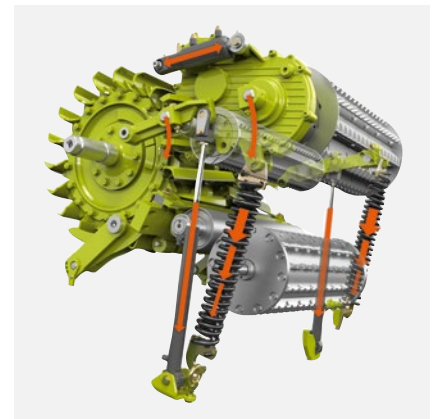
### V-MAX cut above the rest.

The self-adjusting V-MAX knife has no need to be adjusted to the shear bar at install or adjusted outward halfway through the knife life span. The curved knife has a straight cut that saves 5% in horsepower. These advantages, alongside its long life in corn harvest, make this knife a cut above the rest.



### Larger fuel tank.

The 396 gallon (1500 l) fuel tank on the JAGUAR 900 Series lets you stay in the field longer between refueling.



### Hydraulic feed roll compression.

The double hydraulic cylinder precompression ensures smoother crop flow by automatically adjusting the precompression rollers to maintain constant pressure in all intake heights. The operator is able to set the desired pressure from CEBIS and the activated system manages the pressure adjustments automatically.

# JAGUAR 900 Series. CEBIS with touch operation.



## Cab features (optional).

The cab of the JAGUAR has many features to increase operator comfort. Excellent ergonomics makes everything easily accessible for operators, including visibility and extra forward spout angles. The radio tuning and volume controls, as well as those for the cell phones (via Bluetooth), are integrated into the leather-covered armrest. A pivoting seat gives the operator increased leg room and a better turning angle than before. An active refrigerator located under the training seat keeps things cold all day. The Dynamic Steering allows the operator to turn the wheels all the way for quicker turns without multiple revolutions of the steering wheel.



## Operator console with integrated controls for BlueTooth.

The armrest and operator console of the JAGUAR are designed to increase operator convenience.

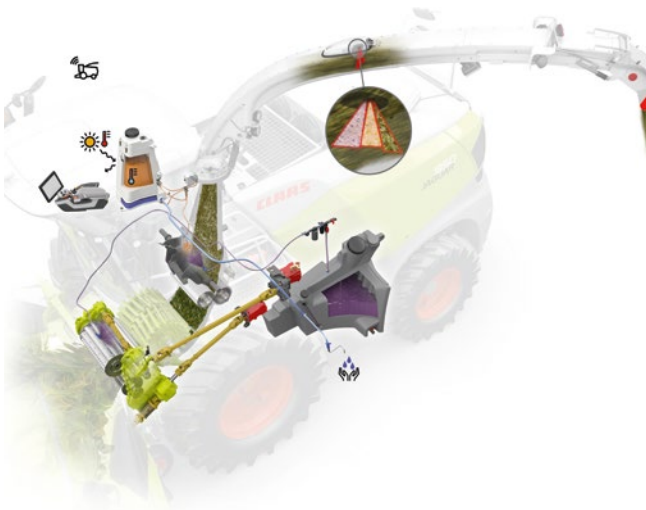
- Bluetooth radio controls integrated into the armrest
- Menu access via switches allow up to seven switches for easy adjustment of different features
- Designed throttle control
- Height adjustment
- C-MOTION handle with integrated controls
- USB charger
- Controls for CEBIS



## CEBIS with touch operation.

The CEBIS with 12" touchscreen puts everything at the operator's fingertips. An intuitive screen design similar to the classic CEBIS makes it even easier to understand and operate.

- CEBIS can be controlled via touchscreen or armrest controls
- Field design allows for quick changes of function on main screen
- HOTKEY features via C-MOTION handle for quick access
- Road and field work screens
- Up to 2 cameras can be connected and displayed on screen
- Three selectable auxiliary displays



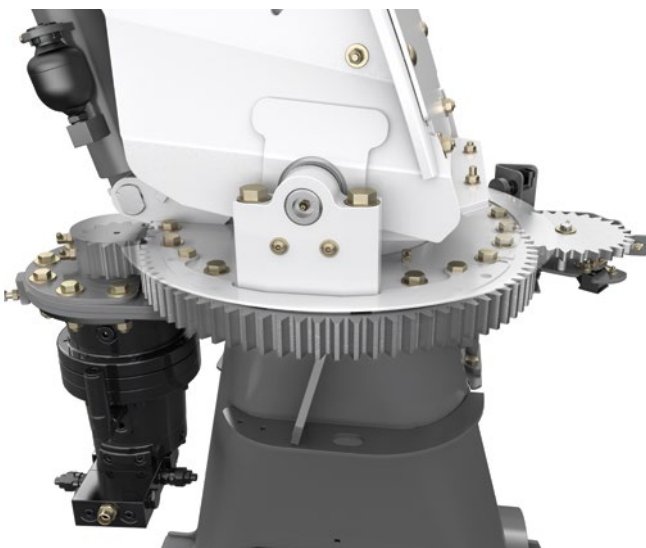
## SILAGE TECH.

SILAGE TECH combines several components to better monitor and optimize your harvest. QUANTIMETER provides accurate real-time yield data, automatic chop length sets length of cut based on moisture levels, and the NIR sensor is a highly accurate sensor for measuring moisture and ingredients (limited crops only). Combining that with ACTISILER 37, fuel consumption monitoring, and 3rd party GPS systems (Trimble / AG Leader / Field View), SILAGE TECH is the precision package for perfect silage.



## ACTISILER 37.

The ACTISILER 37 includes a 9.7 gallon (37 l) insulated tank and can accurately meter inoculant by the ton or by the moisture level from 67.6 - 676 oz/hr (2 - 20 l/h). The system displays volume as well as temperature on CEBIS, lets operators set transition areas with an automatic switchover from ACTISILER to the water tank, and features an automatic line cleaning function to keep the system running smoothly and prevent buildup that can cause clogs and uneven application.



## Planetary gear and spur wheel spout rotation.

The hydraulic motor with planetary gear offers smooth spout movement. The operator can adjust the spout's rotation speed from the CEBIS touchscreen monitor or via the C-MOTION handle spout control buttons. The heavy duty design provides excellent control when the JAGUAR is equipped with spout extensions for use with the ORBIS 900 header.

The spout is also equipped with break-back protection to protect the spout from damage in the event of a collision.

# JAGUAR 800 Series.

## Powerful performance and reliability.



### Powerful header drive.

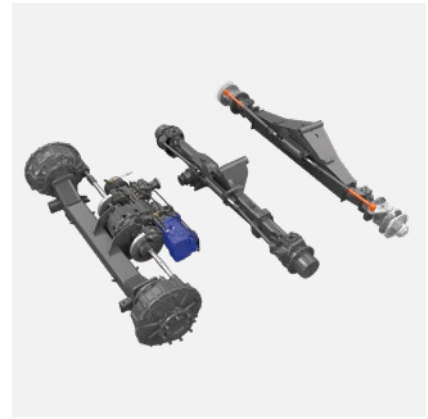
The powerful mechanical intake roller drive is transmitted via the drum shaft. The low-pressure hydraulic system tensions the 4 groove belt transmitting power to the DD600 head on the JAGUAR 800 Series. A plastic disc brake ensures a quick stop when switched off.



### Length of cut range.

The 800 Series features a range of cut lengths with the V-CLASSIC 20 knife drum. Mechanical selection of cut length is done from the feeder house gearbox.

The length of cut range is 6mm, 8mm, 11mm, 14mm, 18mm, or 22mm.



### Mechanical all-wheel drive.

Under difficult working conditions, the electrohydraulically activated four-wheel drive provides maximum traction. The power is transferred directly to the rear axle via a drive shaft.



### V-CLASSIC knife drum.

The chevron-shaped knife arrangement of the V-CLASSIC drum produces a pull-through guillotine cut with minimum effort, and removable knives allow longer cut forage.





## PICK UP headers from CLAAS.

The PU 380 and PU 300 headers feature excellent flotation over any terrain. A roller crop press helps smooth out windrows to maximize the capacity of the JAGUAR. The optional 3 speed drive gearbox that is recommended for use with the fixed speed header drive on the JAGUAR 900 Series.



## DIRECT DISC: Mow and chop in one step.

The MAX CUT mower bar, a feature that sets DISCO mowers from CLAAS above the competition, is a key part of the DIRECT DISC system providing stability and improved crop flow. The larger diameter auger is designed to handle tough tall crops.



## ORBIS: Row-independent corn headers.

All ORBIS headers feature free-running drive and compact dimensions meaning the ORBIS provides you with low power consumption and impressive maneuvering in the field or when turning, and with optional AUTO PILOT, reliable row guidance, as well.

# ORBIS generation.

## Powerful bite. Easy harvest.



### Unique crop flow.

The combination of small and large intake discs delivers high versatility and outstanding throughput. The ORBIS gently and reliably handles crop for optimal crop flow. If the machine is reversed, the plants that have already been cut remain on the large discs and are then drawn in.

- Straight cutting of plants makes for uniform stubble height
- Guide fingers can be adjusted for differing harvest conditions
- Gentle, high-throughput crop transport
- Very even crop transfer for consistently high chopping quality



### Energy saving drive.

The efficient drive concept offers a huge amount of power for remarkably little fuel. The ORBIS requires only a few transmission elements and impressively low starting torque.

The header can also be switched on and reversed at full load. The transmission and drive components are designed for high throughput. Perfect matching of the drive speed to the set chop length ensures an optimal crop feed into the JAGUAR.

### Optimal ground contour following.

Precise ground-contour following is ensured by the redesigned tilting frame in combination with the enhanced CONTOUR / AUTO CONTOUR control system. With the skids in full contact with the ground, the AUTO CONTOUR control system automatically switches over to float position. In this way, excellent lateral compensation is ensured along with ground pressure control. A third, centrally-fitted sensor band is also available as an option for uneven landscapes.

### Low stubble height.

With the special design of its underside and its ability to adjust its tilt to maintain a parallel attitude to the ground, the ORBIS ensures short and even stubble across the entire working width. The ideal stubble which results is short, consistent, clean and shredded at the end for fast rotting.



### Innovative folding concept.

The symmetrical folding process allows you to deploy the header from transport width to its full working width in just 19 seconds on the 750 and 25 seconds on the 900. At the same time, the integrated transport chassis is automatically moved into the appropriate position. Once in working position, the ORBIS 900 and 750 impress with excellent visibility and low axle loads. The low profile makes maneuvering easy, including tight turns.

### Easy maintenance.

Harvesting usually involves working within very narrow timeframes. Having to perform extensive maintenance work is a nuisance and also a cost factor, since it reduces productivity. This is why the CLAAS engineers have done all they can to keep maintenance requirements to a minimum. The key assemblies can be accessed quickly and easily while service intervals are reassuringly long.

### Outstanding wear protection.

For extremely demanding operations over very long periods or when working in fields with a high sand content, the ORBIS corn header is equipped with highly wear-resistant parts. Crop flow parts subject to wear, such as guide strips, knives and optional heavy duty wear skids are optionally available in wear-resistant PREMIUM LINE quality.

# PICK UP generation.

## Clean design. Cleaner crop pick up.



PU 300/380. Now variable.

The designed optional dual variable speed header drive features a variable, independent drive of the pick up reel and intake auger that reduces fuel consumption and improves pick up work capacity. The highlights:

- Five rows of tines for performance-adjusted crop pick up
- Hydraulic lift of the intake auger
- Revised and reinforced drive train
- Ground contour following for flexible pick up work
- Tires with specialty treads



### Dual variable speed adjustment. 5 tine rows.

The speed of the PICK UP auger and PICK UP reel is adjusted automatically and synchronously controlled to ground speed, enabling a constant, quality performance, and making the feed more smooth and comfortable for the operator.

With improved mountings for longer service life, the five rows of tines enable an extremely clean crop take up when operating at 8% higher speeds - even when harvesting with maximum engine power.

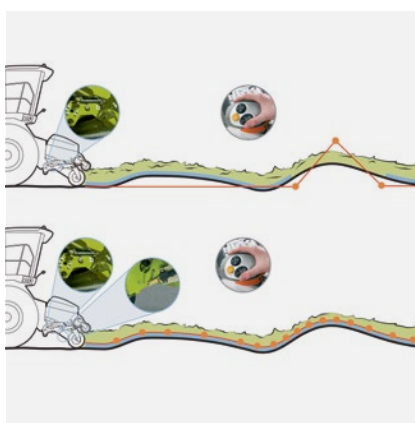
### Roller crop press.

The adjusted design of the roller crop press is both impressive and effective with optimal material transport. The press is positioned closer to the intake auger, resulting in extremely even crop flow.



### Intake auger.

Equipped with long auger flighting and two paddles, tension springs or with a wear kit, the rake and optional hydraulically lifted intake auger are designed for extremely demanding use.



### Optimal ground contouring.

Using an angle sensor on the PICK UP head, ACTIVE CONTOUR senses ground irregularities in advance, enabling fast operation over hilly terrain while keeping the rake at the proper distance from the ground.



### Ideal accessibility.

The roller crop press is automatically raised hydraulically, making it more convenient to search for the presence of metal or rocks. This arrangement allows wear parts to be replaced easily.

# Specifications.

JAGUAR		990	980	970	960	950	940	930
<b>Self-propelled forage harvesters</b>								
Engine type		D2862	D2862	D4276	OM 473 LA	OM 473 LA	OM 471 LA	OM 471 LA
Engine manufacturer		MAN	MAN	MAN	Mercedes-Benz	Mercedes-Benz	Mercedes-Benz	Mercedes-Benz
Cylinders		V12	V12	Inline 6	Inline 6	Inline 6	Inline 6	Inline 6
Engine output at working speed of 1700 rpm (ECE R 120)	hp / kW	925 / 680	850 / 625	790 / 581	626 / 460	585 / 430	516 / 380	462 / 340
CRUISE PILOT		●	●	●	●	●	●	●
Front axle with differential lock		○	○	○	○	○	○	○
Dual front tires		○	○	○	○	○	○	○
TERRA TRAC		○	–	–	○	–	–	–
V-MAX 24 extended knife drum (24 knife)		●	●	●	●	●	●	●
V-MAX knife drum (20 knife)		○	○	○	○	○	○	○
V-MAX 28 extended knife drum (28 knife)		○	○	○	○	○	○	○
V-MAX 36 extended knife drum (36 knife)		○	○	○	○	○	○	○
MULTI CROP CRACKER L, ø 9.8 in (250 mm)		○	○	○	○	○	○	○
MULTI CROP CRACKER SHREDLAGE, ø 9.8 in (250 mm)		○	○	○	○	○	○	○
AUTO FILL (side and rear filling)		○	○	○	○	○	○	○
QUANTIMETER		○	○	○	○	○	○	○
NIR Sensor		○	○	○	○	○	○	○
ACTISILER 37 silage additive system		○	○	○	○	○	○	○
TELEMATICS (first year license included)		●	●	●	●	●	●	●
Third party compatible (GPS / yield mapping)		○	○	○	○	○	○	○

JAGUAR		880	860	850	840
<b>Self-propelled forage harvesters</b>					
Engine type		OM 473 LA	OM 471 LA	OM 471 LA	OM 470 LA
Engine manufacturer		Mercedes-Benz	Mercedes-Benz	Mercedes-Benz	Mercedes-Benz
Cylinders		Inline 6	Inline 6	Inline 6	Inline 6
Engine output at working speed of 1700 rpm (ECE R 120)	hp / kW	626 / 460	516 / 380	462 / 340	408 / 300
CRUISE PILOT		○	–	–	–
V-CLASSIC knife drum (20 knife)		●	●	●	●
MULTI CROP CRACKER L, ø 9.8 in (250 mm)		○	○	○	○
MULTI CROP CRACKER SHREDLAGE, ø 9.8 in (250 mm)		○	○	○	○
AUTO FILL (side and rear filling)		○	○	○	○
QUANTIMETER		○	○	○	○
NIR Sensor		○	○	○	○
ACTISILER silage additive system		○	○	○	○
TELEMATICS (first year license included)		●	●	●	●
Third party compatible (GPS / yield mapping)		○	○	○	○

JAGUAR header width	10'	12'6"	15'	17'	20'	25'	30'
<b>Rows</b>			6		8	10	12
PICK UP	PU 300	PU 380					
DIRECT DISC				DD 500	DD 600		
ORBIS			ORBIS 450		ORBIS 600	ORBIS 750	ORBIS 900

● Standard ○ Optional – Not available

©2023 CLAAS of America Inc. All descriptions and specifications should be considered approximate and may include optional equipment. In certain cases, protective panels have been removed to show detail. To avoid risk of injury, never remove these panels yourself. Please refer to operators manual for instructions. Product and specifications subject to change without notice.

# Whatever it takes – CLAAS Service & Parts.



## Your needs matter.

You can always rely on CLAAS Service & Parts. We'll be there whenever you need us, around the clock if necessary, to provide the perfect solution for your machine and your business. Whatever it takes.

## Reliability can be planned.

With our service products, you can increase your machine reliability and minimize your risk of breakdowns with confidence. CLAAS MAXI CARE offers planned reliability for your machine.

## Worldwide coverage from Columbus, Regina and Hamm.

The CLAAS of America Parts Logistics Centers in Columbus, Indiana, and Regina, Saskatchewan, provide world-class parts support throughout North America for all CLAAS products. Supported by the CLAAS worldwide spare parts depot in Hamm, Germany, we provide the CLAAS dealer network with reliable, consistent parts availability and industry-leading responsiveness. Your local CLAAS dealer can supply the right parts solution for your business to maximize machine uptime.



CLAAS of America Inc.  
8401 S 132nd Street  
Omaha, NE 68138  
Phone (402) 861-1000  
[www.claas.com](http://www.claas.com)

CL99881057 / 07/2022